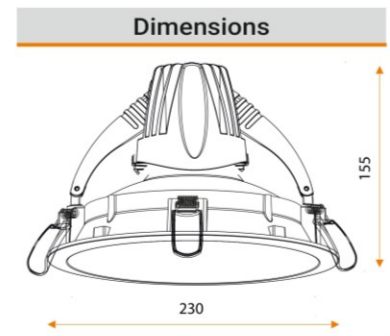


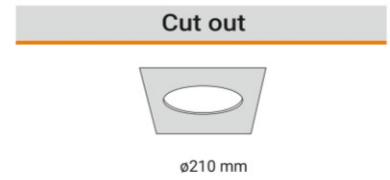
Product Codes				
LED	T4GLF2200EZ	ø230mm	20W	2200lm
Emergency				
EM	T4GLF2200EZ/EM	ø230mm	20W	2200lm
DALI				
	T4GLF2200XD	ø230mm	20W	2200lm



Material and Finish	
• Die cast aluminium heatsink	• Suitable for suspended and plasterboard ceilings
• Powder coated finish	



LED Characteristics	
CCT	4000°K
Ra (CRI)	>80
Life expectancy@65°C	50,000 hrs L80 B10
Board lumens	2200 lm
Rated power	20W



Electrical Input	
Rated input voltage	~230-240V AC
Rated input frequency	50-60Hz
Power factor	>0.9
Running current	0.12A
Total wattage	20W



Photometric Data	
Calculation file	T4GLF2200WWEZ.Idt
LOR	99.98%
Luminaire lumens	1787lm
Efficacy LL/CW	88.99

