



Bright Future LED

Product data sheet

T3ECP3150EZ

Compact Decorative Range/Eclipse

Product Codes

LED	T3ECP3150EZ WO/CO/SO	22W	ø432mm	3150lm
------------	----------------------	-----	--------	--------

Emergency

EM	T3ECP3150EZ/EM WO/CO/SO	22W	ø432mm	3150lm
-----------	-------------------------	-----	--------	--------

DALI

DALI	T3ECP3150XD WO/CO/SO	22W	ø432mm	3150lm
-------------	----------------------	-----	--------	--------



* with IP65 seal kit

Material and Finish

- Injection moulded polycarbonate base
- U.V. stabilised to prevent discolouring
- Injection moulded polycarbonate opal diffuser
- Powder coated finish to bezel

LED Characteristics

CCT	4000°K
Ra (CRI)	>80
Life expectancy	50,000 hrs L80 B10
Board lumens	3150lm
Rated power	22W

Electrical Input

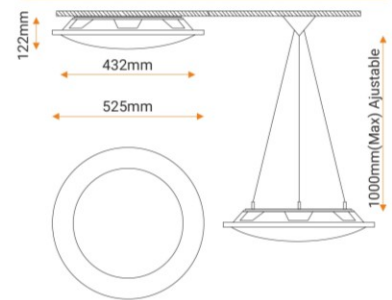
Rated input voltage	~230-240V AC
Rated input frequency	50-60Hz
Power factor	>0.9
Running current	0.12A
Total wattage	25W

Photometric Data

Calculation file	T3ECP3150EZ.Idt
LOR	99.98%
Luminaire lumens	2102.9lm
Efficacy LL/CW	84



Dimensions



Weight

