



Bright Future LED Product data sheet

T2MEA4400EZ

Surface Range/Medical Range Type A

Product Codes					
LED	T2MEA4400EZ	4ft	1183mm	30W	4400lm

Emergency					
EM	T2MEA4400EZ/EM	4ft	1183mm	30W	4400lm

DALI					
	T2MEA4400XD	4ft	1183mm	30W	4400lm

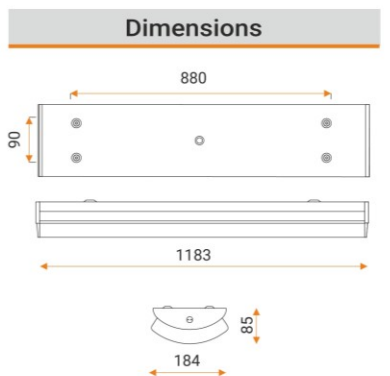


Material and Finish	
• Extruded polycarbonate base	• U.V. stabilised to prevent discolouring
• Extruded polycarbonate frosted clear diffuser	• Tamper proof screws
• Stainless steel clips	

LED Characteristics	
CCT	4000°K
Ra (CRI)	>80
Life expectancy	50,000 hrs L80 B10
Board lumens	4400lm
Rated power	33W

Electrical Input	
Rated input voltage	~230-240V AC
Rated input frequency	50-60Hz
Power factor	>0.9
Running current	0.17A
Total wattage	33W

Photometric Data	
Calculation file	T2MEA4400EZ.ltd
LOR	99.98%
Luminaire lumens	3435lm
Efficacy LL/CW	104.09



Weight

